



Thin Fix Stages



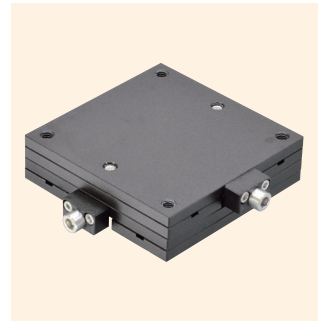
↑ TLS-T4052FX



↑ TLS-T6052FX



↑ TLD-T4052FX



↑ TLD-T6052FX

Features

- Clamp-free stages that do not move after position adjustment.
- The special mechanism suppresses backlash.
- A hex wrench is used for position adjustment.* The hex wrench is not included. This should be prepared by the customer.
- Optimal for a workpiece such as a camera or sensor that must keep the position fixed, rather than one that requires constant positioning.
- Positioning is possible with a stage as thin as a spacer (8 mm) (X stage only).
- Setting the feed screw position to the center of the table enables a shape with minimal protrusions, making it especially effective for installation in narrow spaces.
- In addition to horizontal installation, vertical or inverse installation is also possible.

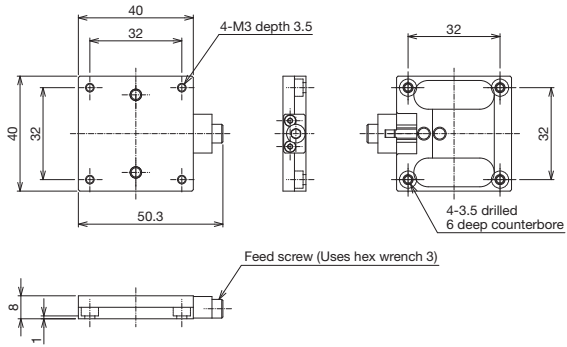
*There are limitations on the load capacity depending on the installation direction. Contact us for details.

Model number	TLS-T4052FX	TLS-T6052FX	TLD-T4052FX	TLD-T6052FX
Model name	Thin Type X Fix Stage 40 x 40	Thin Type X Fix Stage 60 x 60	Thin Type XY Fix Stage 40 x 40	Thin Type XY Fix Stage 60 x 60
Travel direction	X-axis single direction		XY-axis double direction	
Stage surface	40 mm x 40 mm	60 mm x 60 mm	40 mm x 40 mm	60 mm x 60 mm
Stage height	8 mm		16 mm	
Clamp method	Clamp-free			
Feed method	Feed screw P=0.7 mm			
Travel amount	±3.5 mm	±5.5 mm	±3.5 mm	±5.5 mm
Travel amount/1 knob rotation	Approx. 0.7 mm			
Travel guide	Sliding			
Parallelism	0.1 mm		0.2 mm	
Load capacity	24.5 N (2.5 kgf)			
Mass	0.04 kg	0.08 kg		0.16 kg
Main materials/surface treatment	Aluminum alloy/black satin anodized finish			

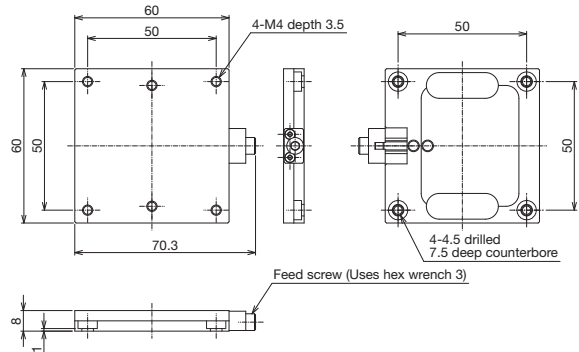


Fix Stages ◀ Manual Stages ◀

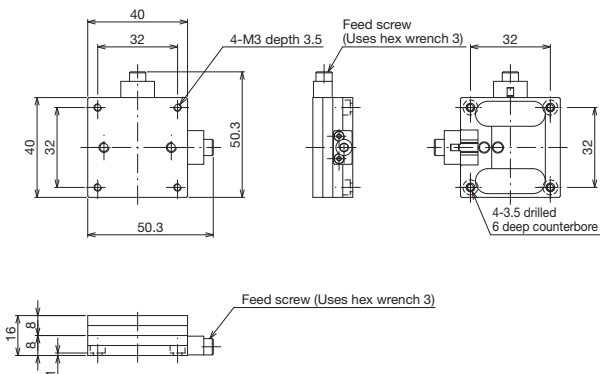
Product Appearance



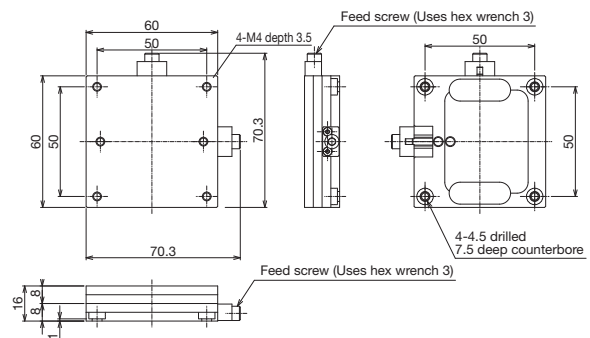
↑ TLS-T4052FX



↑ TLS-T6052FX



↑ TLD-T4052FX



↑ TLD-T6052FX

Motorized Stages	Automated Products for Microscopes	Manual Stages	Fix Stages	Thin VIB Stages	Rock & Pinion Stages	High-Grade Stages	Spin Stages, Cross Roller Stages	Z-Like Stages	Rotary Stages	Tilt Stages	Tilt/Rotary Stages	XZ, YZ Stages	XYZ Stages
------------------	------------------------------------	---------------	------------	-----------------	----------------------	-------------------	----------------------------------	---------------	---------------	-------------	--------------------	---------------	------------