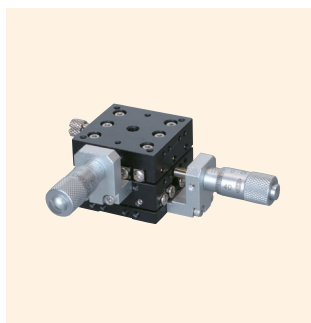


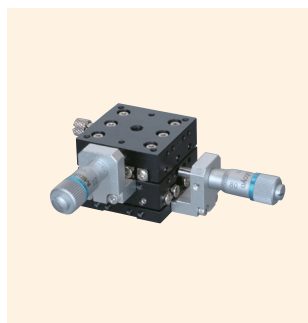
High-Grade Aluminum XY Stages 30 x 30



↑ TLD-3047-C1



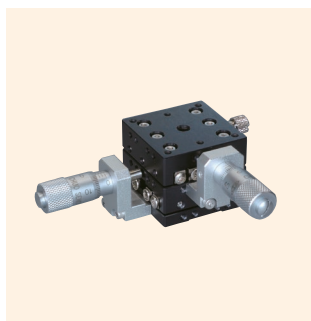
↑ TLD-3047-S1



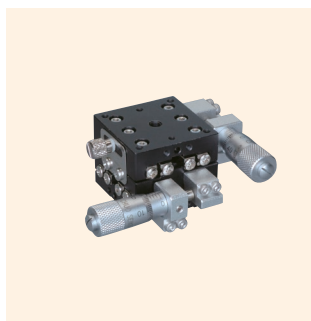
↑ TLD-3047-C8



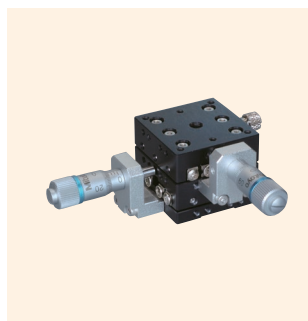
↑ TLD-3047-S8



↑ TLD-3047-CR1



↑ TLD-3047-SR1



↑ TLD-3047-CR8



↑ TLD-3047-SR8

Features

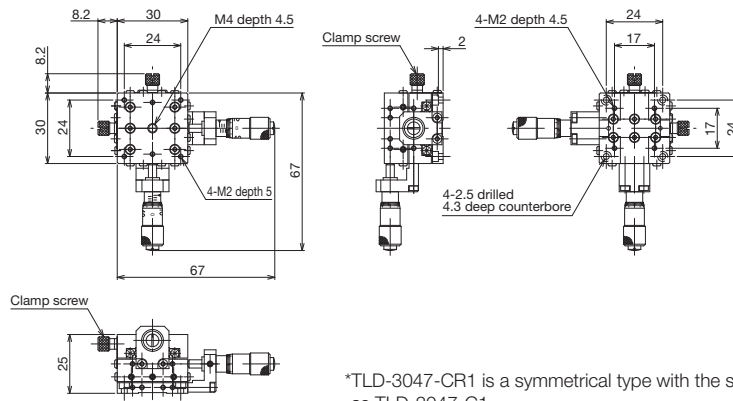
- Adopts an aluminum alloy as the main material and uses the HG-VCR method to achieve both high rigidity and light weight.
- Standard types and symmetrical types are available for a left-right symmetrical structure.
- Standard micrometers and fine pitch micrometers are available for the feed method.
- Versatile use for precision positioning of cameras, sensors, workpieces, and more.

Model number (Standard type)	TLD-3047-C1	TLD-3047-S1	TLD-3047-C8	TLD-3047-S8
Model number (Symmetrical type)	TLD-3047-CR1	TLD-3047-SR1	TLD-3047-CR8	TLD-3047-SR8
Model name	High-Grade Aluminum XY Stage 30 x 30			
Travel direction	XY-axis double direction			
Stage surface	30 mm x 30 mm			
Clamp method	Plate clamp			
Operating part mounting position	Center	Side	Center	Side
Feed method	CMH-6.5RA (standard micrometer)		MHT3-6.5FP (Fine pitch micro)	
Travel amount	±3 mm			
Travel amount/1 knob rotation	0.5 mm		0.1 mm	
Scale	Micrometer 0.01 mm		Micrometer 0.002 mm	
Sensitivity	0.003 mm		0.001 mm	
Travel guide	HG-VCR (V-groove and cross rollers)			
Travel accuracy	Straightness (horizontal/vertical) 0.002 mm			
Moment rigidity	Yaw rigidity 2.00 s/N-cm, pitch rigidity 2.00 s/N-cm, roll rigidity 2.00 s/N-cm			
Parallelism	0.050 mm			
Parallelism of motion	0.020 mm			
XY orthogonality	0.010 mm			
Load capacity	19.6 N (2 kgf)			
Mass	0.11 kg			
Main materials/surface treatment	Aluminum alloy/black satin anodized finish			



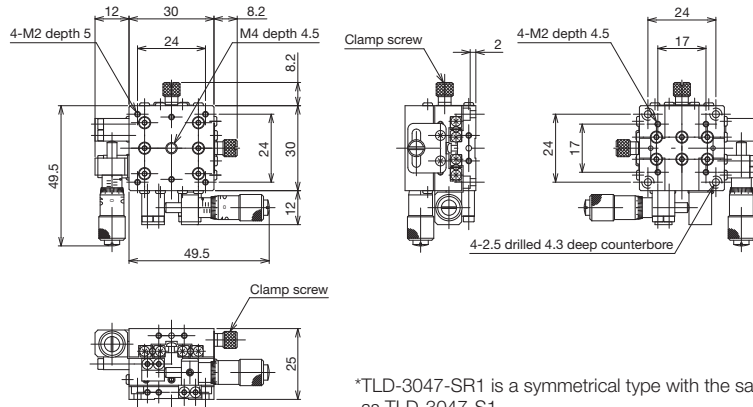
High-Grade Stages ◀ Manual Stages ◀

Product Appearance



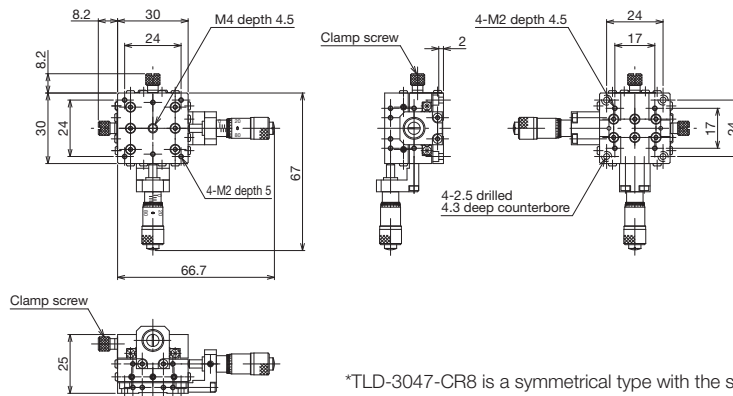
*TLD-3047-CR1 is a symmetrical type with the same dimensions as TLD-3047-C1.

↑ TLD-3047-C1



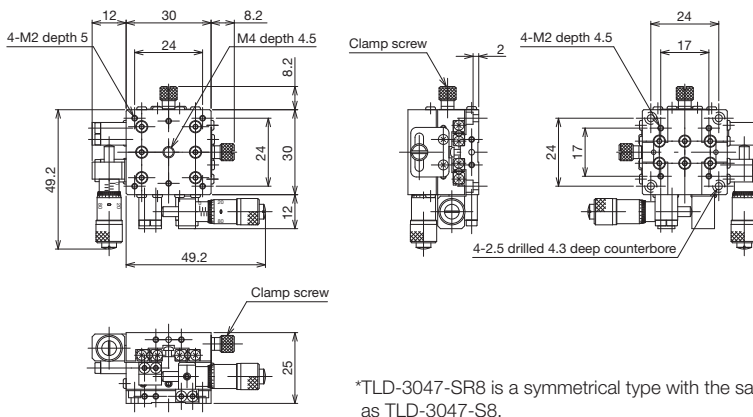
*TLD-3047-SR1 is a symmetrical type with the same dimensions as TLD-3047-S1.

↑ TLD-3047-S1



*TLD-3047-CR8 is a symmetrical type with the same dimensions as TLD-3047-C8.

↑ TLD-3047-C8

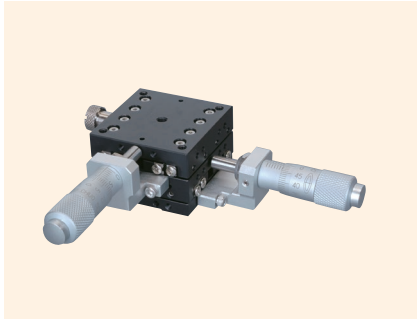


*TLD-3047-SR8 is a symmetrical type with the same dimensions as TLD-3047-S8.

↑ TLD-3047-S8

Motorized Stages
Automated Products for Microscopes
Manual Stages
Fix Stages
Thin VB Stages
Rack & Pinion Stages
High-Grade Stages
Spin Stages, Cross Roller Stages
Z-Like Stages, Z Stages
Rotary Stages
Tilt Stages
Tilt/Rotary Stages
XZ, YZ Stages
XYZ Stages

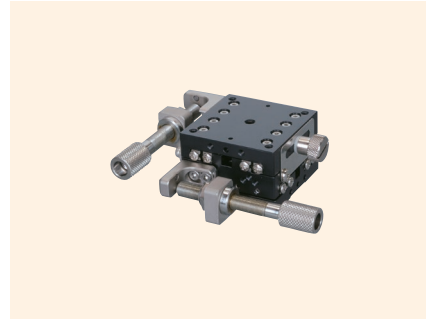
High-Grade Aluminum XY Stages 40 x 40



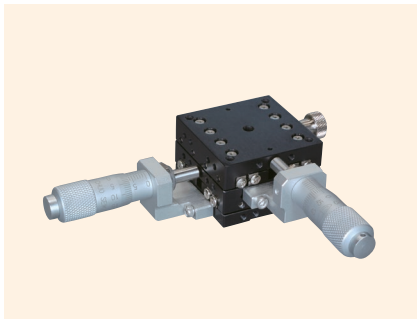
↑ TLD-4047-C1



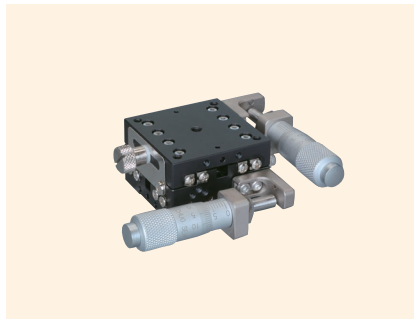
↑ TLD-4047-S1



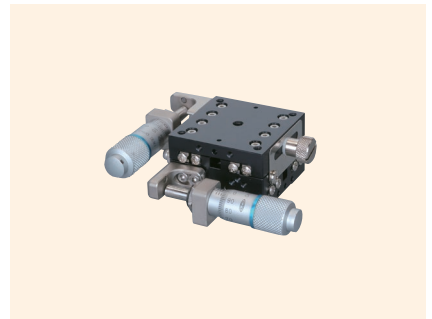
↑ TLD-4047-S6



↑ TLD-4047-CR1



↑ TLD-4047-SR1



↑ TLD-4047-S8

Features

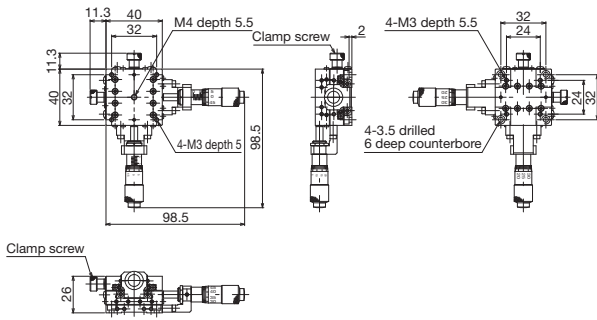
- Adopts an aluminum alloy as the main material and uses the HG-VCR method to achieve both high rigidity and light weight.
- Standard types and symmetrical types are available for a left-right symmetrical structure.
- Feed screws, standard micrometers, and fine pitch micrometers are available for the feed method.
- Versatile use for precision positioning of cameras, sensors, workpieces, and more.

Model number (Standard type)	TLD-4047-C1	TLD-4047-S1	TLD-4047-C6	TLD-4047-S6	TLD-4047-C8	TLD-4047-S8
Model number (Symmetrical type)	TLD-4047-CR1	TLD-4047-SR1	TLD-4047-CR6	TLD-4047-SR6	TLD-4047-CR8	TLD-4047-SR8
Model name	High-Grade Aluminum XY Stage 40 x 40					
Travel direction	XY-axis double direction					
Stage surface	40 mm x 40 mm					
Clamp method	Plate clamp					
Operating part mounting position	Center	Side	Center	Side	Center	Side
Feed method	CMH-13RM (standard micrometer)		Feed screw P=0.5 mm		MHS4-6.5FP (Fine pitch micro)	
Travel amount	±6.5 mm				±3 mm	
Travel amount/1 knob rotation	0.5 mm				0.1 mm	
Scale	Micrometer 0.01 mm		-		Micrometer 0.002 mm	
Sensitivity	0.003 mm		0.01 mm		0.001 mm	
Travel guide	HG-VCR (V-groove and cross rollers)					
Travel accuracy	Straightness (horizontal/vertical) 0.002 mm					
Moment rigidity	Yaw rigidity 0.40 s/N-cm, pitch rigidity 1.00 s/N-cm, roll rigidity 1.00 s/N-cm					
Parallelism	0.050 mm					
Parallelism of motion	0.020 mm					
XY orthogonality	0.010 mm					
Load capacity	39.2 N (4 kgf)					
Mass	0.23 kg					
Main materials/surface treatment	Aluminum alloy/black satin anodized finish					



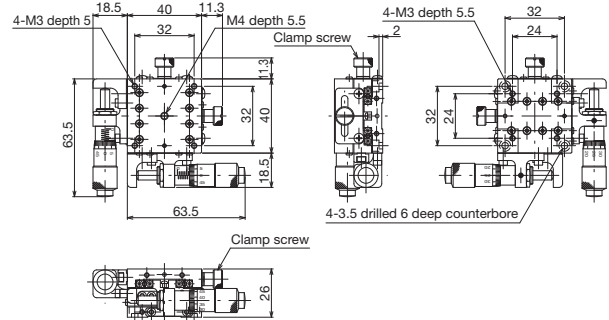
High-Grade Stages ◀ Manual Stages ◀

Product Appearance



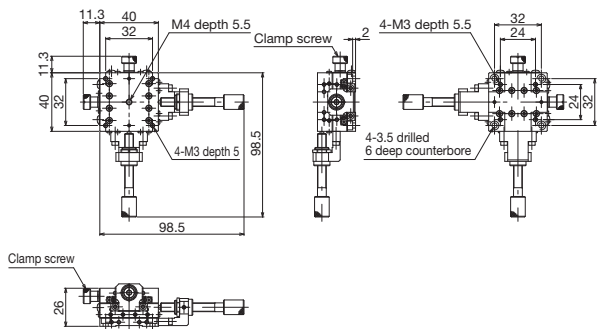
*TLD-4047-CR1 is a symmetrical type with the same dimensions as TLD-4047-C1.

↑ TLD-4047-C1



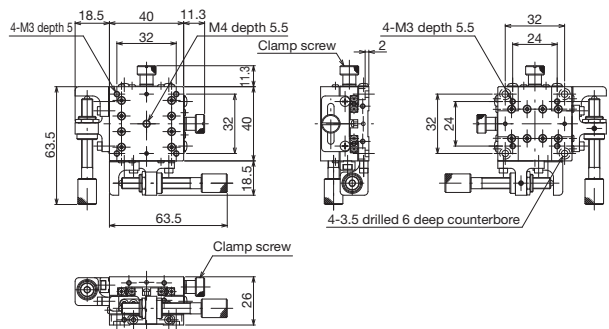
*TLD-4047-SR1 is a symmetrical type with the same dimensions as TLD-4047-S1.

↑ TLD-4047-S1



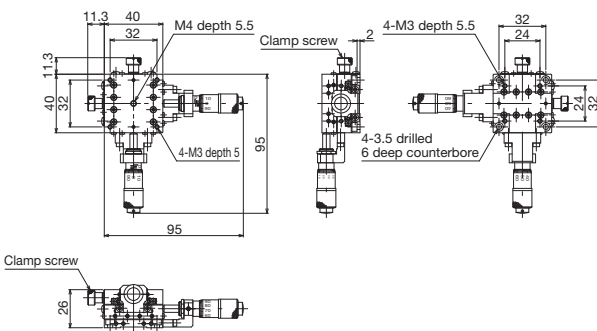
*TLD-4047-CR6 is a symmetrical type with the same dimensions as TLD-4047-C6.

↑ TLD-4047-C6



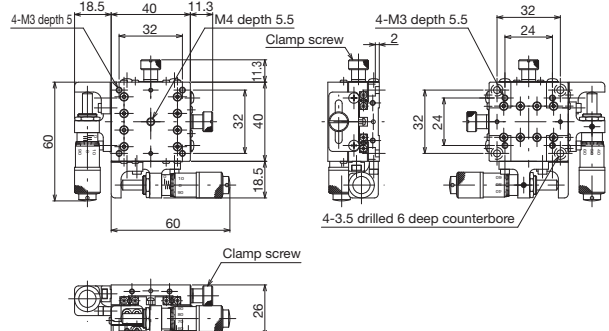
*TLD-4047-SR6 is a symmetrical type with the same dimensions as TLD-4047-S6.

↑ TLD-4047-S6



*TLD-4047-CR8 is a symmetrical type with the same dimensions as TLD-4047-C8.

↑ TLD-4047-C8

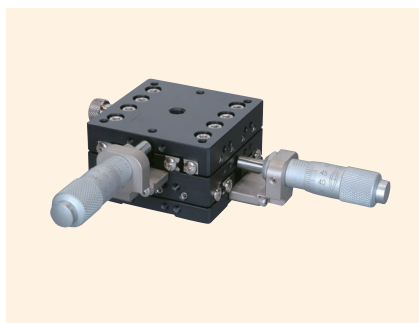


*TLD-4047-SR8 is a symmetrical type with the same dimensions as TLD-4047-S8.

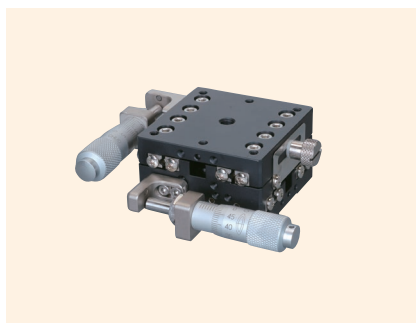
↑ TLD-4047-S8

Motorized Stages
Automated Products for Microscopes
Manual Stages
Fix Stages
Thin V8 Stages
Rack & Pinion Stages
High-Grade Stages
Swim Stages, Cross Roller Stages
Z-Like Stages, Z Stages
Rotary Stages
Tilt Stages
Tilt/Rotary Stages
XZ, YZ Stages
XYZ Stages

High-Grade Aluminum XY Stages 50 x 50



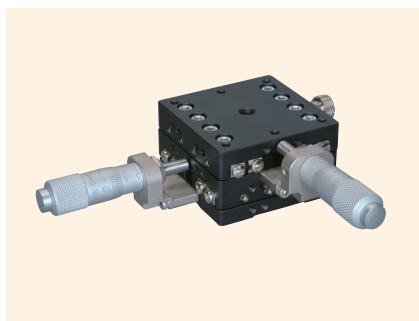
↑ TLD-5047-C1



↑ TLD-5047-S1



↑ TLD-5047-S6



↑ TLD-5047-CR1



↑ TLD-5047-SR1



↑ TLD-5047-S8

Features

- Adopts an aluminum alloy as the main material and uses the HG-VCR method to achieve both high rigidity and light weight.
- Standard types and symmetrical types are available for a left-right symmetrical structure.
- Feed screws, standard micrometers, and fine pitch micrometers are available for the feed method.
- Versatile use for precision positioning of cameras, sensors, workpieces, and more.

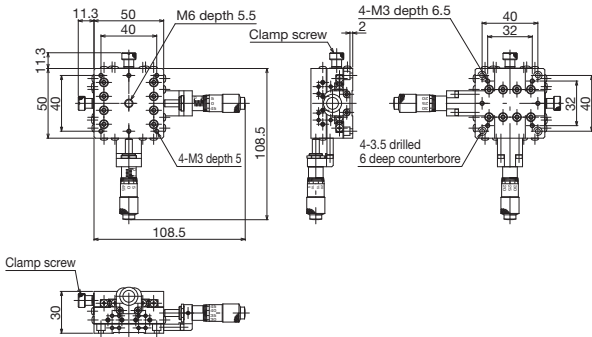
Model number (Standard type)	TLD-5047-C1	TLD-5047-S1	TLD-5047-C6	TLD-5047-S6	TLD-5047-C8	TLD-5047-S8
Model number (Symmetrical type)	TLD-5047-CR1	TLD-5047-SR1	TLD-5047-CR6	TLD-5047-SR6	TLD-5047-CR8	TLD-5047-SR8
Model name	High-Grade Aluminum XY Stage 50 x 50					
Travel direction	XY-axis double direction					
Stage surface	50 mm x 50 mm					
Clamp method	Plate clamp					
Operating part mounting position	Center	Side	Center	Side	Center	Side
Feed method	CMH-13RM (standard micrometer)		Feed screw P=0.5 mm		MHS4-6.5FP (Fine pitch micro)	
Travel amount	±6.5 mm				±3 mm	
Travel amount/1 knob rotation	0.5 mm				0.1 mm	
Scale	Micrometer 0.01 mm		-		Micrometer 0.002 mm	
Sensitivity	0.003 mm		0.01 mm		0.001 mm	
Travel guide	HG-VCR (V-groove and cross rollers)					
Travel accuracy	Straightness (horizontal/vertical) 0.002 mm					
Moment rigidity	Yaw rigidity 0.20 s/N-cm, pitch rigidity 0.60 s/N-cm, roll rigidity 0.60 s/N-cm					
Parallelism	0.050 mm					
Parallelism of motion	0.020 mm					
XY orthogonality	0.010 mm					
Load capacity	49 N (5 kgf)					
Mass	0.33 kg					
Main materials/surface treatment	Aluminum alloy/black satin anodized finish					



High-Grade Stages ◀ Manual Stages ◀

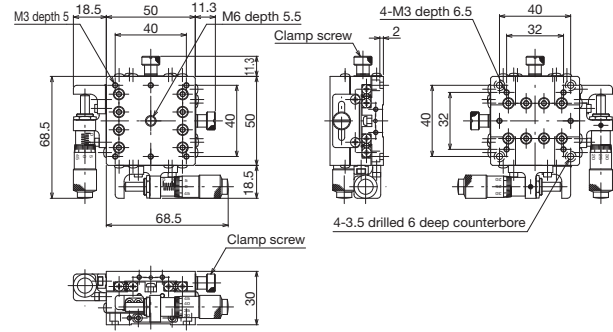
Product Appearance

Motorized Stages
Automated Products for Microscopes
Manual Stages
Fix Stages
Thin VB Stages
Rack & Pinion Stages
High-Grade Stages
Swim Stages, Cross Roller Stages
Z-Like Stages
Rotary Stages
Tilt Stages
Tilt/Rotary Stages
XZ, YZ Stages
XYZ Stages



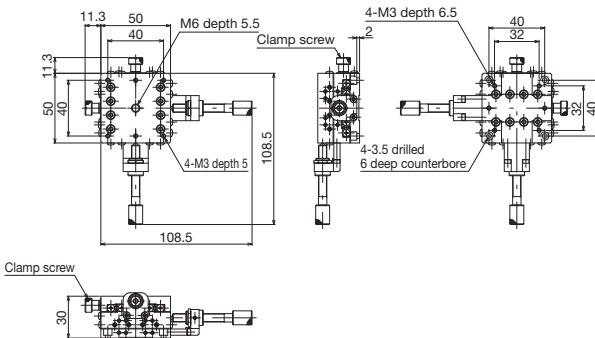
*TLD-5047-CR1 is a symmetrical type with the same dimensions as TLD-5047-C1.

↑ TLD-5047-C1



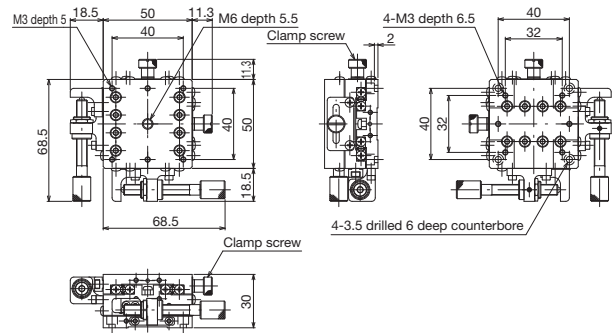
*TLD-5047-SR1 is a symmetrical type with the same dimensions as TLD-5047-S1.

↑ TLD-5047-S1



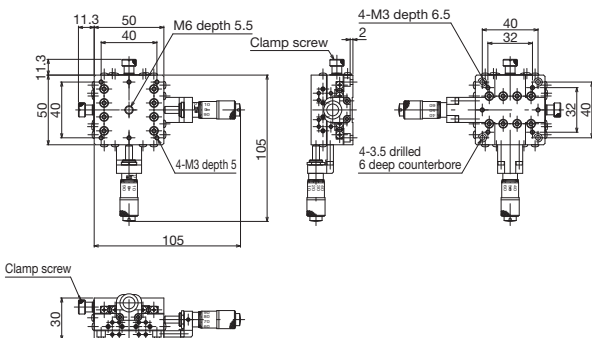
*TLD-5047-CR6 is a symmetrical type with the same dimensions as TLD-5047-C6.

↑ TLD-5047-C6



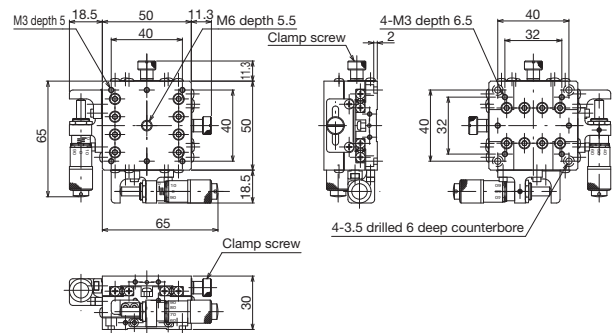
*TLD-5047-SR6 is a symmetrical type with the same dimensions as TLD-5047-S6.

↑ TLD-5047-S6



*TLD-5047-CR8 is a symmetrical type with the same dimensions as TLD-5047-C8.

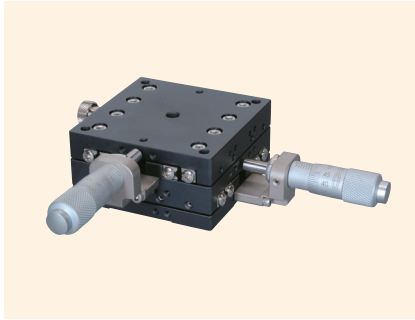
↑ TLD-5047-C8



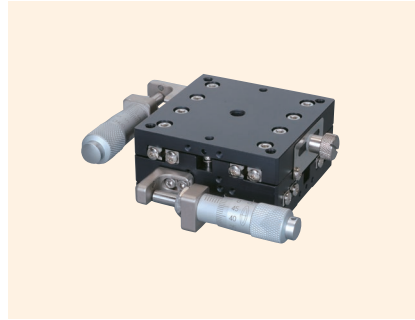
*TLD-5047-SR8 is a symmetrical type with the same dimensions as TLD-5047-S8.

↑ TLD-5047-S8

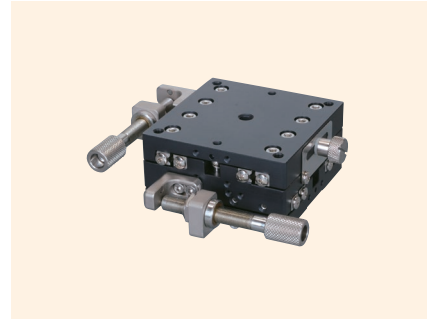
High-Grade Aluminum XY Stages 60 x 60



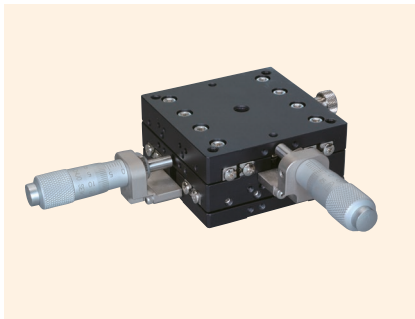
↑ TLD-6047-C1



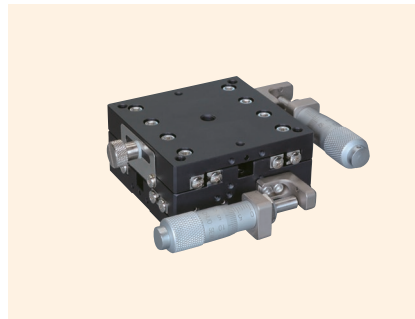
↑ TLD-6047-S1



↑ TLD-6047-S6



↑ TLD-6047-CR1



↑ TLD-6047-SR1



↑ TLD-6047-S8

Features

- Adopts an aluminum alloy as the main material and uses the HG-VCR method to achieve both high rigidity and light weight.
- Standard types and symmetrical types are available for a left-right symmetrical structure.
- Feed screws, standard micrometers, and fine pitch micrometers are available for the feed method.
- Versatile use for precision positioning of cameras, sensors, workpieces, and more.

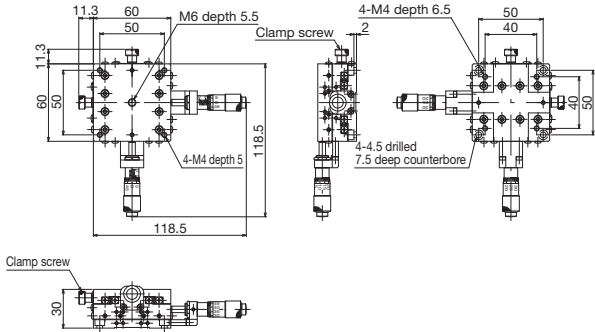
Model number (Standard type)	TLD-6047-C1	TLD-6047-S1	TLD-6047-C6	TLD-6047-S6	TLD-6047-C8	TLD-6047-S8
Model number (Symmetrical type)	TLD-6047-CR1	TLD-6047-SR1	TLD-6047-CR6	TLD-6047-SR6	TLD-6047-CR8	TLD-6047-SR8
Model name	High-Grade Aluminum XY Stage 60 x 60					
Travel direction	XY-axis double direction					
Stage surface	60 mm x 60 mm					
Clamp method	Plate clamp					
Operating part mounting position	Center	Side	Center	Side	Center	Side
Feed method	CMH-13RM (standard micrometer)		Feed screw P=0.5 mm		MHS4-6.5FP (Fine pitch micro)	
Travel amount	±6.5 mm			±3 mm		
Travel amount/1 knob rotation	0.5 mm			0.1 mm		
Scale	Micrometer 0.01 mm		-		Micrometer 0.002 mm	
Sensitivity	0.003 mm		0.01 mm		0.001 mm	
Travel guide	HG-VCR (V-groove and cross rollers)					
Travel accuracy	Straightness (horizontal/vertical) 0.002 mm					
Moment rigidity	Yaw rigidity 0.10 s/N-cm, pitch rigidity 0.40 s/N-cm, roll rigidity 0.40 s/N-cm					
Parallelism	0.050 mm					
Parallelism of motion	0.020 mm					
XY orthogonality	0.010 mm					
Load capacity	58.8 N (6 kgf)					
Mass	0.42 kg					
Main materials/surface treatment	Aluminum alloy/black satin anodized finish					



High-Grade Stages ◀ Manual Stages ◀

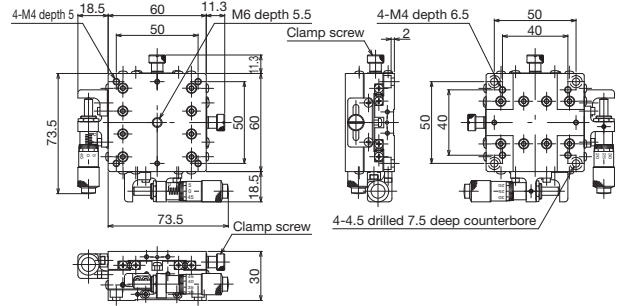
Product Appearance

Motorized Stages
Automated Products for Microscopes
Manual Stages
Fix Stages
Thin VB Stages
Rack & Pinion Stages
High-Grade Stages
Swim Stages, Cross Roller Stages
Z-Like Stages
Rotary Stages
Tilt Stages
Tilt/Rotary Stages
XZ, YZ Stages
XYZ Stages



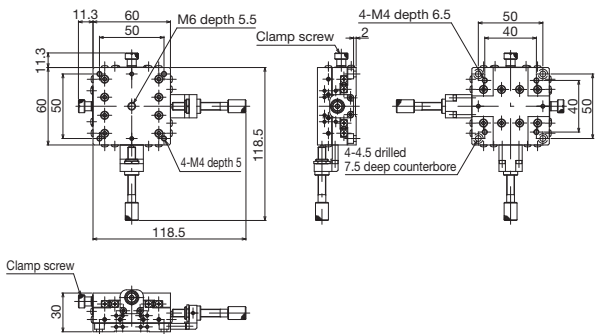
*TLD-6047-CR1 is a symmetrical type with the same dimensions as TLD-6047-C1.

↑ TLD-6047-C1



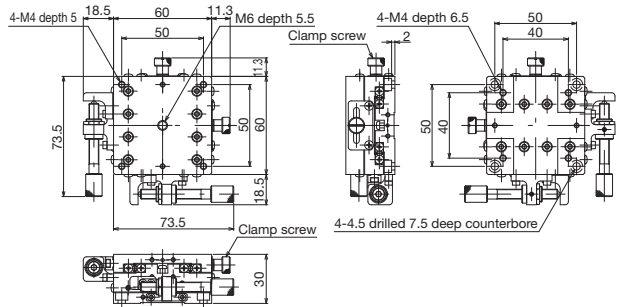
*TLD-6047-SR1 is a symmetrical type with the same dimensions as TLD-6047-S1.

↑ TLD-6047-S1



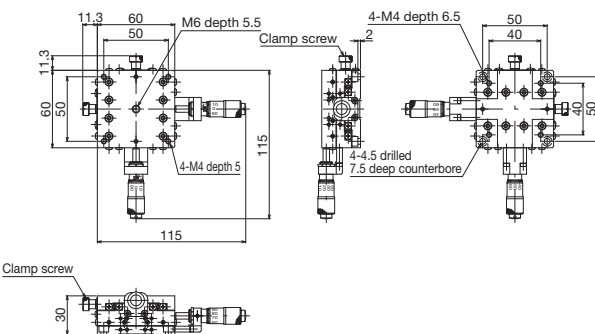
*TLD-6047-CR6 is a symmetrical type with the same dimensions as TLD-6047-C6.

↑ TLD-6047-C6



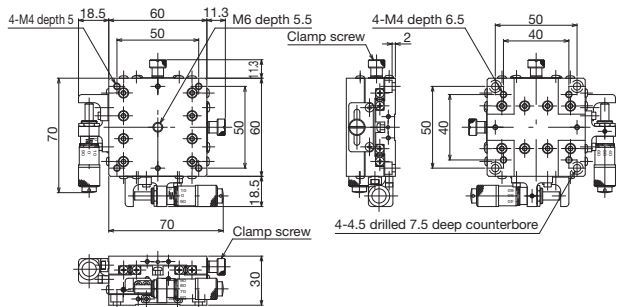
*TLD-6047-SR6 is a symmetrical type with the same dimensions as TLD-6047-S6.

↑ TLD-6047-S6



*TLD-6047-CR8 is a symmetrical type with the same dimensions as TLD-6047-C8.

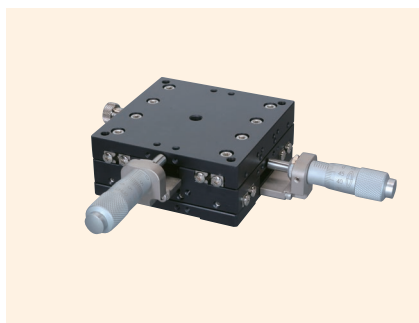
↑ TLD-6047-C8



*TLD-6047-SR8 is a symmetrical type with the same dimensions as TLD-6047-S8.

↑ TLD-6047-S8

High-Grade Aluminum XY Stages 70 x 70



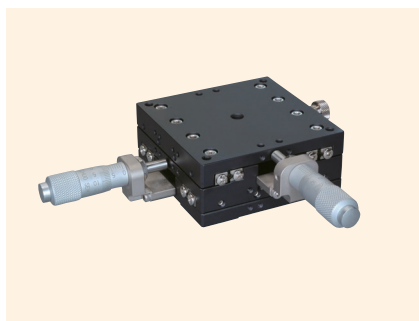
↑ TLD-7047-C1



↑ TLD-7047-S1



↑ TLD-7047-S6



↑ TLD-7047-CR1



↑ TLD-7047-SR1



↑ TLD-7047-S8

Features

- Adopts an aluminum alloy as the main material and uses the HG-VCR method to achieve both high rigidity and light weight.
- Standard types and symmetrical types are available for a left-right symmetrical structure.
- Feed screws, standard micrometers, and fine pitch micrometers are available for the feed method.
- Versatile use for precision positioning of cameras, sensors, workpieces, and more.

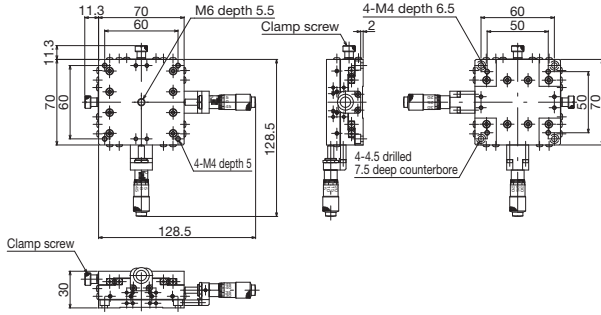
Model number (Standard type)	TLD-7047-C1	TLD-7047-S1	TLD-7047-C6	TLD-7047-S6	TLD-7047-C8	TLD-7047-S8
Model number (Symmetrical type)	TLD-7047-CR1	TLD-7047-SR1	TLD-7047-CR6	TLD-7047-SR6	TLD-7047-CR8	TLD-7047-SR8
Model name	High-Grade Aluminum XY Stage 70 x 70					
Travel direction	XY-axis double direction					
Stage surface	70 mm x 70 mm					
Clamp method	Plate clamp					
Operating part mounting position	Center	Side	Center	Side	Center	Side
Feed method	CMH-13RM (standard micrometer)		Feed screw P=0.5 mm		MHS4-6.5FP (Fine pitch micro)	
Travel amount	±6.5 mm			±3 mm		
Travel amount/1 knob rotation	0.5 mm			0.1 mm		
Scale	Micrometer 0.01 mm		-		Micrometer 0.002 mm	
Sensitivity	0.003 mm		0.01 mm		0.001 mm	
Travel guide	HG-VCR (V-groove and cross rollers)					
Travel accuracy	Straightness (horizontal/vertical) 0.002 mm					
Moment rigidity	Yaw rigidity 0.06 s/N-cm, pitch rigidity 0.20 s/N-cm, roll rigidity 0.20 s/N-cm					
Parallelism	0.050 mm					
Parallelism of motion	0.020 mm					
XY orthogonality	0.010 mm					
Load capacity	78.4 N (8 kgf)					
Mass	0.50 kg					
Main materials/surface treatment	Aluminum alloy/black satin anodized finish					



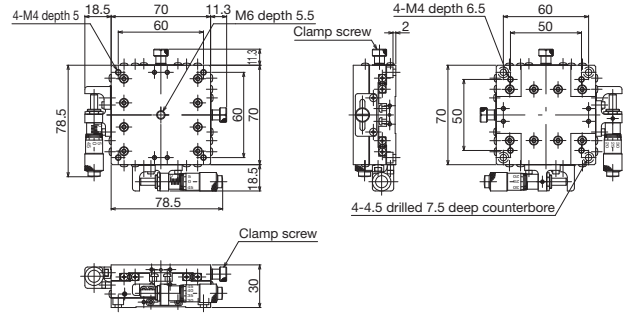
High-Grade Stages ◀ Manual Stages ◀

Product Appearance

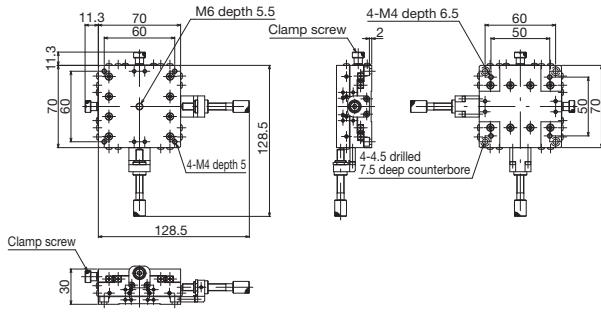
Motorized Stages
Automated Products for Microscopes
Manual Stages
Fix Stages
Thin VB Stages
Rack & Pinion Stages
High-Grade Stages
Swim Stages, Cross Roller Stages
Z Lin Stages, Z Stages
Rotary Stages
Tilt Stages
Tilt/Rotary Stages
XZ, YZ Stages
XYZ Stages



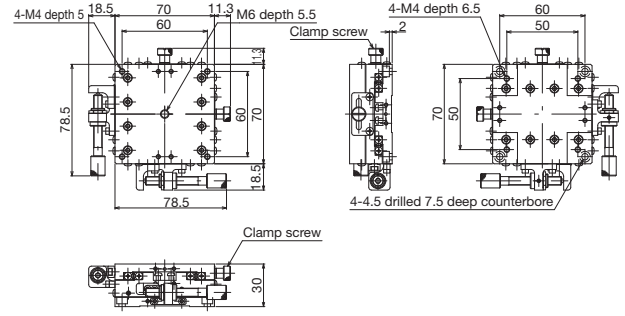
*TLD-7047-CR1 is a symmetrical type with the same dimensions as TLD-7047-C1. ↑ TLD-7047-C1



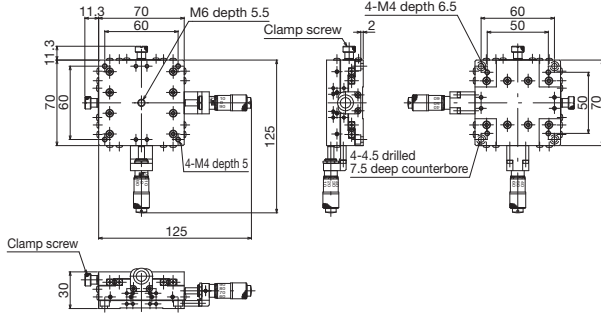
*TLD-7047-SR1 is a symmetrical type with the same dimensions as TLD-7047-S1. ↑ TLD-7047-S1



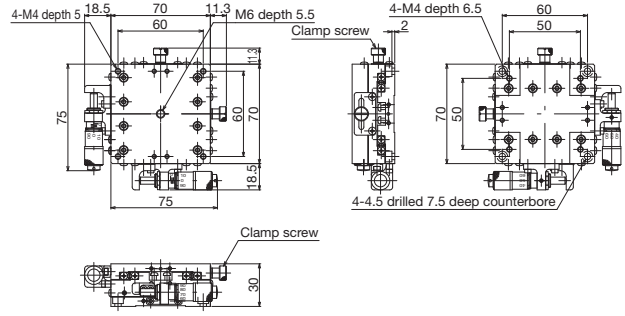
*TLD-7047-CR6 is a symmetrical type with the same dimensions as TLD-7047-C6. ↑ TLD-7047-C6



*TLD-7047-SR6 is a symmetrical type with the same dimensions as TLD-7047-S6. ↑ TLD-7047-S6



*TLD-7047-CR8 is a symmetrical type with the same dimensions as TLD-7047-C8. ↑ TLD-7047-C8



*TLD-7047-SR8 is a symmetrical type with the same dimensions as TLD-7047-S8. ↑ TLD-7047-S8