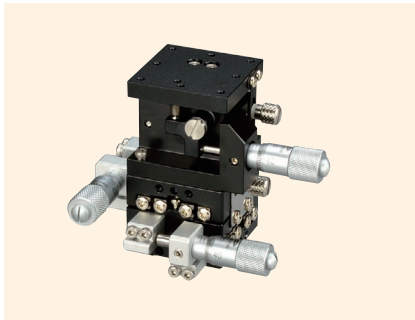
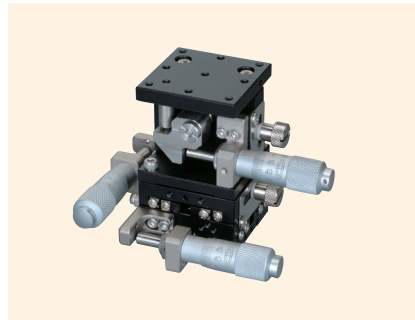


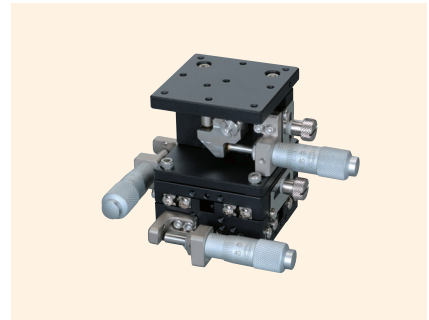
## High-Grade Aluminum XYZ Stages 30 x 30, 40 x 40, 50 x 50



↑ TLT-3047-S1



↑ TLT-4047-S1



↑ TLT-5047-S1

### Features

- An XYZ stage combining a high-grade aluminum XY stage with a high-grade Z lift stage.
- Standard types and symmetrical types are available for a left-right symmetrical structure.
- Versatile use for precision positioning of cameras, sensors, workpieces, and more.

Model number (Standard type)	TLT-3047-S1	TLT-4047-S1	TLT-5047-S1
Model number (Symmetrical type)	TLT-3047-SR1	TLT-4047-SR1	TLT-5047-SR1
Model name	High-Grade Aluminum XYZ Stage 30 x 30	High-Grade Aluminum XYZ Stage 40 x 40	High-Grade Aluminum XYZ Stage 50 x 50
Travel direction	XYZ-axis triple direction		
Stage surface	30 mm x 30 mm	40 mm x 40 mm	50 mm x 50 mm
Clamp method	Plate clamp		
Operating part mounting position	XY axis side *-SR1 is the reverse side to the XY axis		
Travel mechanism/feed method	XY axis CMH-6.5RA, Z axis CMH-6.5F (each axis has a standard micrometer)	CMH-13RM (each axis has a standard micrometer)	
Travel amount	XY axes ±3 mm, Z axis 0 to 5 mm	XY axes ±6.5 mm, Z axis 0 to 10 mm	
Travel amount/1 knob rotation	Each axis 0.5 mm	Each axis 0.5 mm	
Scale	Micrometer 0.01 mm	Micrometer 0.01 mm	
Sensitivity	0.003 mm	0.003 mm	
Travel guide	XY axis HG-VCR (V-groove and cross rollers), Z axis V-groove and cross rollers	HG-VCR method (V-groove and cross rollers)	
Travel accuracy	Straightness: XY axes 0.002 mm, Z axis 0.003 mm		
XY orthogonality	0.01 mm		
Load capacity	14.7 N (1.5 kgf)	29.4 N (3 kgf)	
Mass	0.18 kg	0.43 kg	0.58 kg
Main materials/surface treatment	Aluminum alloy/black satin anodized finish	XY axis aluminum alloy/black satin anodized finish, Z axis stainless steel, aluminum alloy/black chromium oxide, black satin anodized finish	

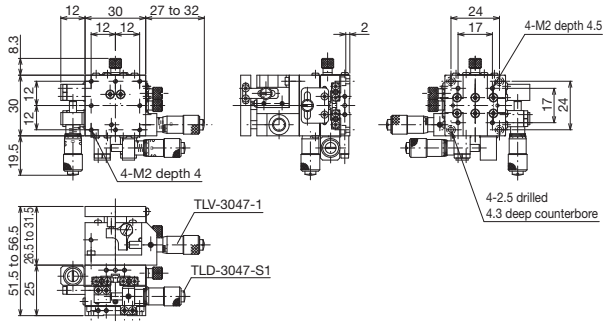
\*Z stages do not have left-right symmetry. Check the product appearance for details.



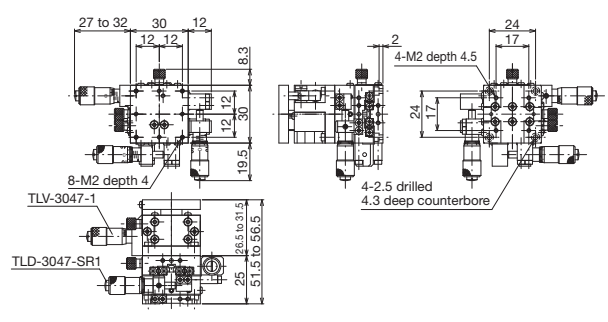
# High-Grade Stages ◀ Manual Stages ◀

## Product Appearance

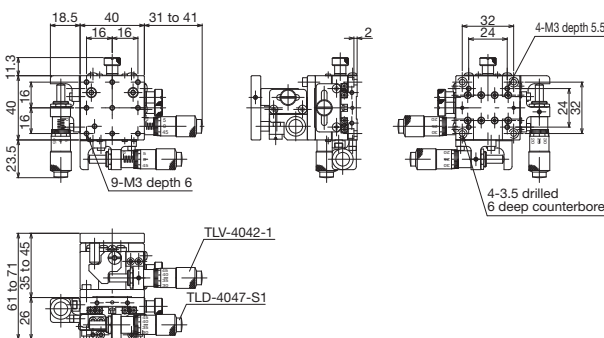
Motorized Stages
Automated Products for Microscopes
<b>Manual Stages</b>
Fix Stages
Thin VB Stages
Rack & Pinion Stages
<b>High-Grade Stages</b>
Swim Stages, Cross Roller Stages
Z-Like Stages
Rotary Stages
Tilt Stages
Tilt/Rotary Stages
XZ, YZ Stages
XYZ Stages



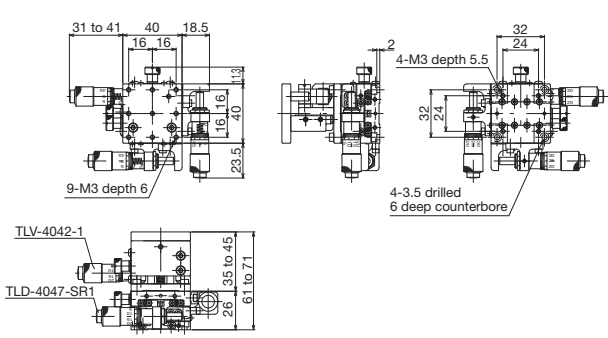
↑ TLT-3047-S1



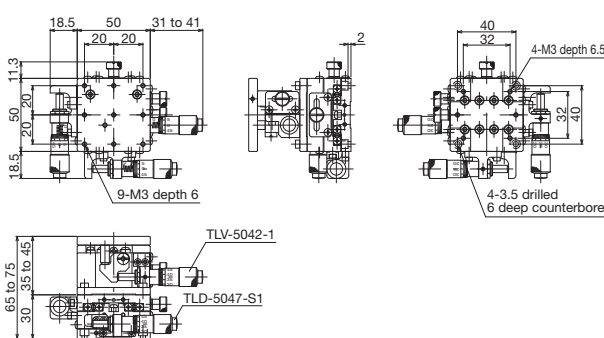
↑ TLT-3047-SR1



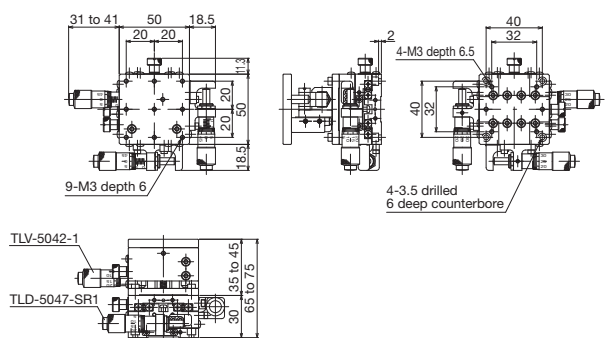
↑ TLT-4047-S1



↑ TLT-4047-SR1

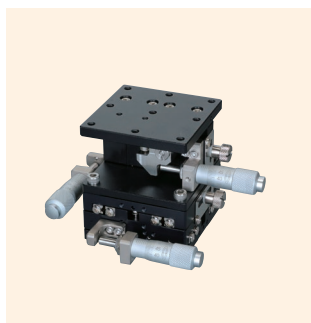


↑ TLT-5047-S1

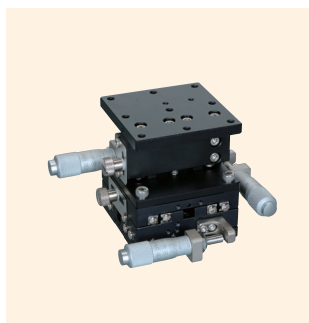


↑ TLT-5047-SR1

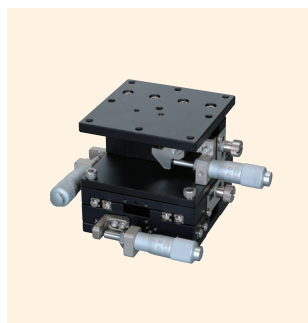
## High-Grade Aluminum XYZ Stages 60 x 60, 70 x 70



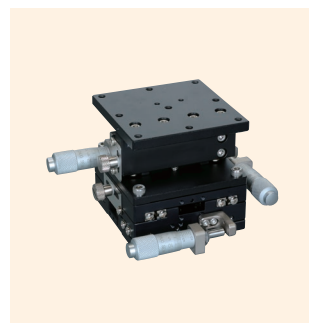
↑ TLT-6047-S1



↑ TLT-6047-SR1



↑ TLT-7047-S1



↑ TLT-7047-SR1

### Features

- An XYZ stage combining a high-grade aluminum XY stage with a high-grade Z-lift stage.
- Standard types and symmetrical types are available for a left-right symmetrical structure.
- Versatile use for precision positioning of cameras, sensors, workpieces, and more.

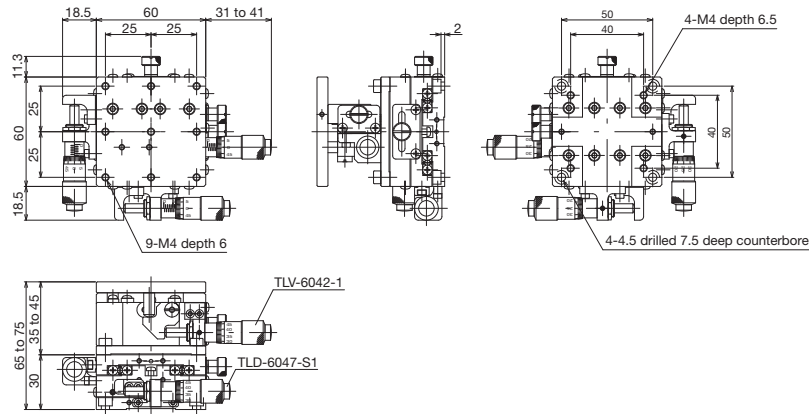
Model number (Standard type)	TLT-6047-S1	TLT-7047-S1
Model number (Symmetrical type)	TLT-6047-SR1	TLT-7047-SR1
Model name	High-Grade Aluminum XYZ Stage 60 x 60	High-Grade Aluminum XYZ Stage 70 x 70
Travel direction	XYZ-axis triple direction	
Stage surface	60 mm x 60 mm	70 mm x 70 mm
Clamp method	Plate clamp	
Operating part mounting position	XY axis side *-SR1 is the reverse side to the XY axis	
Feed method	CMH-13RM (each axis has a standard micrometer)	
Travel amount	XY axes ±6.5 mm, Z axis 0 to 10 mm	
Travel amount/1 knob rotation	Each axis 0.5 mm	
Scale	Micrometer 0.01 mm	
Sensitivity	0.003 mm	
Travel guide	HG-VCR method (V-groove and cross rollers)	
Travel accuracy	Straightness: XY axes 0.002 mm, Z axis 0.003 mm	Straightness: XY axes 0.002 mm, Z axis 0.005 mm
XY orthogonality	0.01 mm	
Load capacity	29.4 N (3 kgf)	
Mass	0.72 kg	0.90 kg
Main materials/surface treatment	XY axis aluminum alloy/black satin anodized finish, Z axis stainless steel, aluminum alloy/black chromium oxide, black satin anodized finish	

\*Z stages do not have left-right symmetry. Check the product appearance for details.

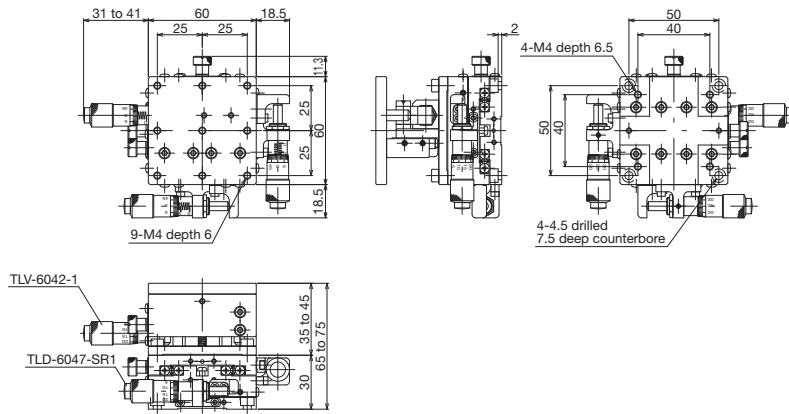


# High-Grade Stages ◀ Manual Stages ◀

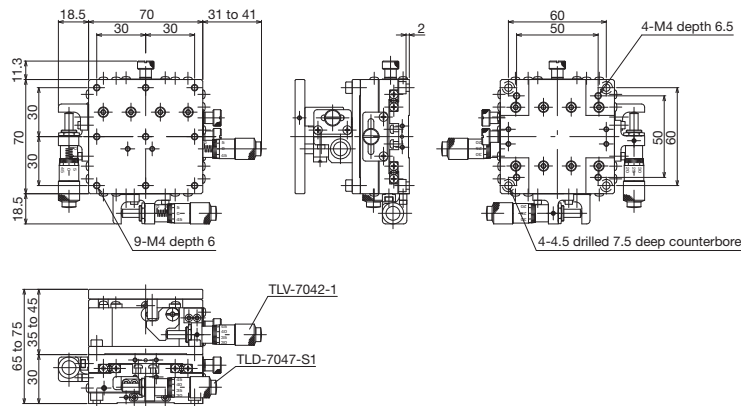
## Product Appearance



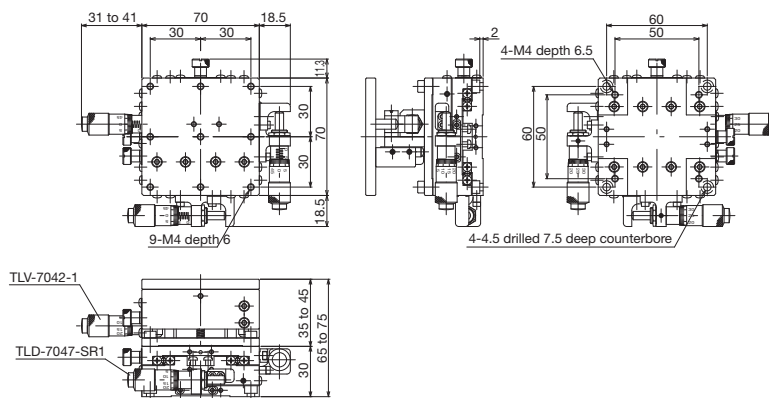
↑ TLT-6047-S1



↑ TLT-6047-SR1



↑ TLT-7047-S1



↑ TLT-7047-SR1

Motorized Stages	Automated Products for Microscopes	Manual Stages
Fx Stages	Thru V8 Stages	Rock & Pinion Stages
High-Grade Stages	Stein Stages, Cross Roller Stages	Z-Like Stages, Z Stages
Rotary Stages	Tilt Stages	Tilt/Rotary Stages
XZ, YZ Stages	XZ Stages	