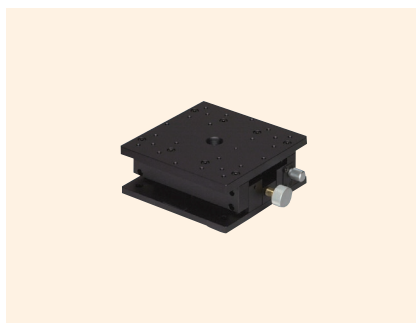


## Z Lift Slim Stages 125 x 125



↑ TLV-147-1



↑ TLV-147-6



↑ TLV-147-7

### Features

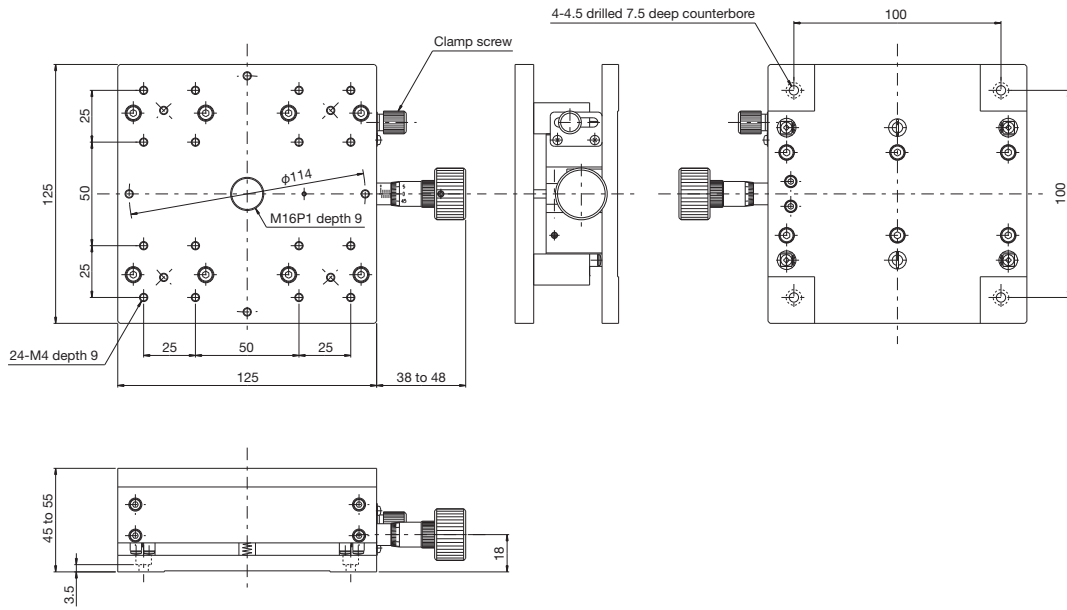
- A thin, lightweight, lift type Z axis stage.
- Rigidity is increased with numerous V-CR method guide combinations.
- Versatile use for precision positioning of sensors, workpieces, and more.

Model number	TLV-147-1	TLV-147-6	TLV-147-7
Model name	Z Slim Stage 125 x 125	Z Slim Stage 125 x 125 (With Feed Screw)	Z Slim Stage 125 x 125 (With Digital Display Micrometer)
Travel direction	Z-axis single direction		
Stage surface	125 mm x 125 mm		
Clamp method	Plate clamp		
Feed method	CMH-13FM (standard micrometer)	-	MHN1-25MX (digital display micrometer)
Travel amount	0 to 10 mm		
Travel amount/1 knob rotation	0.5 mm		
Scale	Micrometer 0.01 mm	Feed Screw Type - 1 Knob Rotation Approx. 0.5 mm	Digital display micrometer 0.001 mm
Sensitivity	0.003 mm	0.01 mm	0.001 mm
Travel guide	V-groove and cross rollers		
Travel accuracy	Straightness: 0.005 mm		
Load capacity	49 N (5 kgf)	98 N (10 kgf)	49 N (5 kgf)
Mass	1.4 kg		1.6 kg
Main materials/surface treatment	Aluminum alloy/black satin anodized finish		

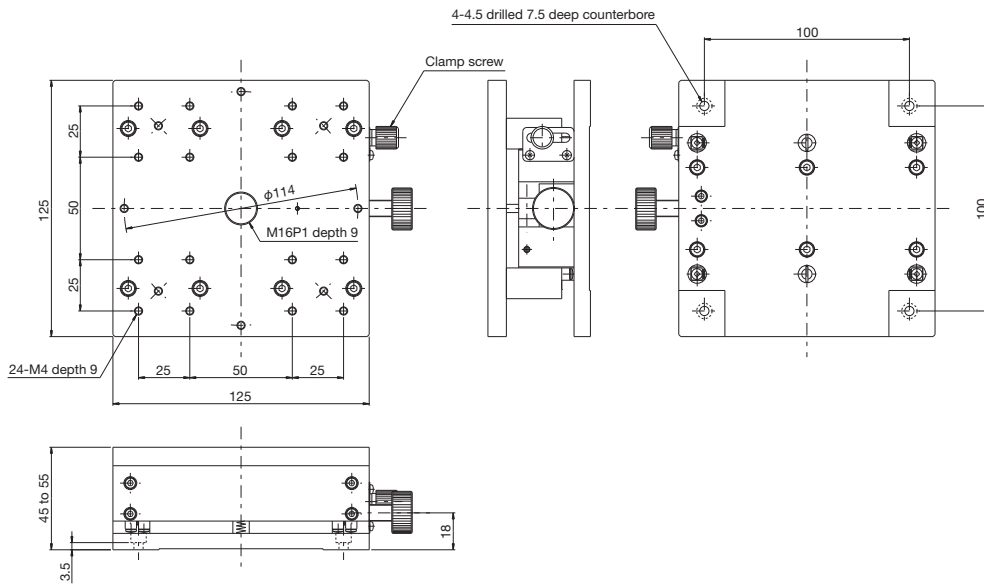


Slim Stages, Cross Roller Stages ◀ Manual Stages ◀

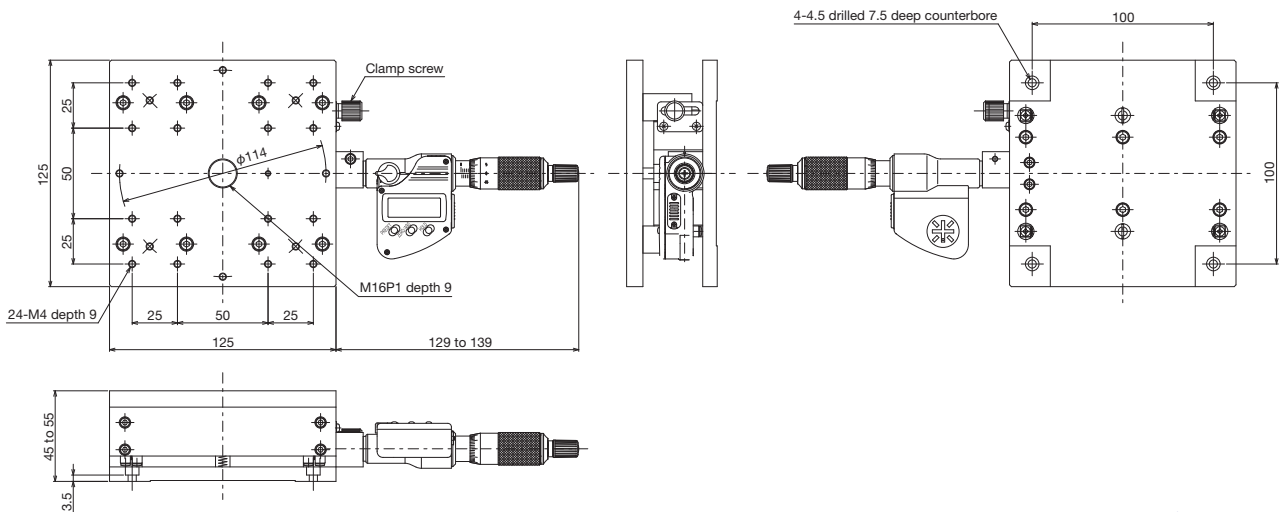
Product Appearance



TLV-147-1



TLV-147-6



TLV-147-7

Motorized Stages	Automated Products for Microscopes	Manual Stages	Fix Stages	Thin VB Stages	Rack & Pinion Stages	High-Grade Stages	Slim Stages, Cross Roller Stages	Z-Like Stages, Z Stages	Rotary Stages	Tilt Stages	Tilt/Rotary Stages	XZ, YZ Stages	XYZ Stages
------------------	------------------------------------	---------------	------------	----------------	----------------------	-------------------	----------------------------------	-------------------------	---------------	-------------	--------------------	---------------	------------