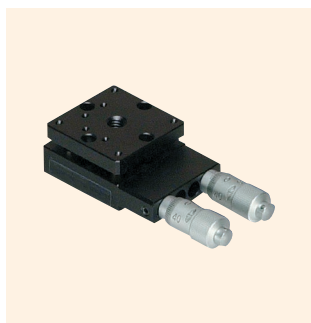


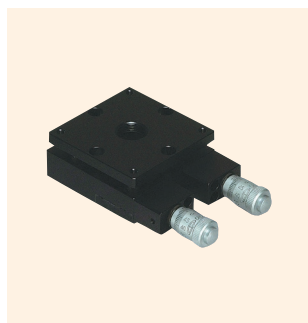
2-Axis Tilt Stage



↑ TTD-302



↑ TTD-304



↑ TTD-602



↑ TTD-604

Features

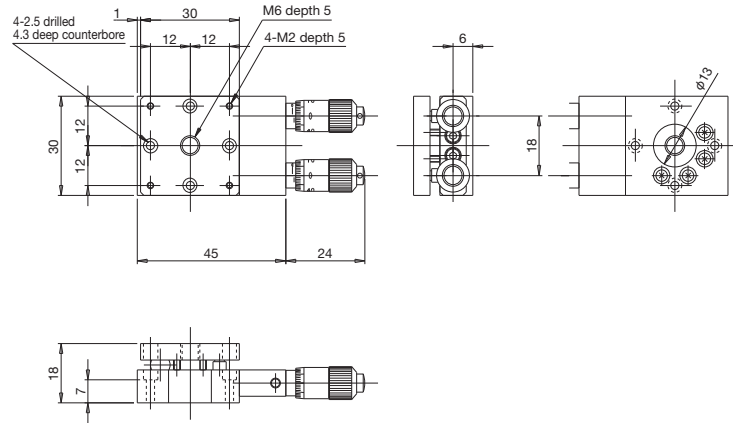
- A 2-axis tilt stage with differing feed methods.
- The ball between the upper stage and the base forms the fulcrum for the tilting action.
- A low-cost manual screw type and a micrometer type that is capable of fine adjustments are available.
- Versatile use for positioning of cameras, sensors, etc.

Model number	TTD-302	TTD-304	TTD-602	TTD-604
Model name	Tilt Slim Stage 30 x 30	2-Axis Tilt Stage 30 x 30	Tilt Slim Stage 60 x 60	2-Axis Tilt Stage 60 x 60
Travel direction	Tilt double direction			
Stage surface	30 mm x 30 mm		60 mm x 60 mm	
Feed method	CMH-6.5FA (standard micrometer)	Manual feed method	CMS-6.5F (standard micrometer)	Manual feed method
Travel amount	±3°	±2°	±3°	±2°
Travel amount/1 knob rotation	Approx. 1° 36'	Approx. 1° 25'	Approx. 0° 45'	Approx. 0° 40'
Scale	Micrometer 0.01 mm (1 scale marking is approx. 1' 55")	-	Micrometer 0.01 mm (1 scale marking is approx. 54")	-
Load capacity	19.6 N (2 kgf)		29.4 N (3 kgf)	39.2 N (4 kgf)
Mass	0.06 kg	0.03 kg	0.27 kg	0.15 kg
Main materials/surface treatment	Aluminum alloy/black satin anodized finish			

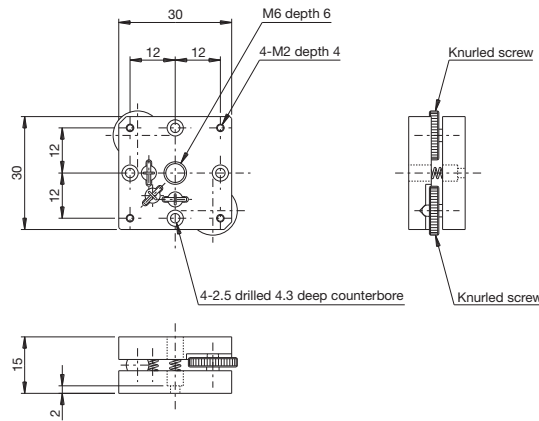


Tilt Stages ◀ Manual Stages ▶

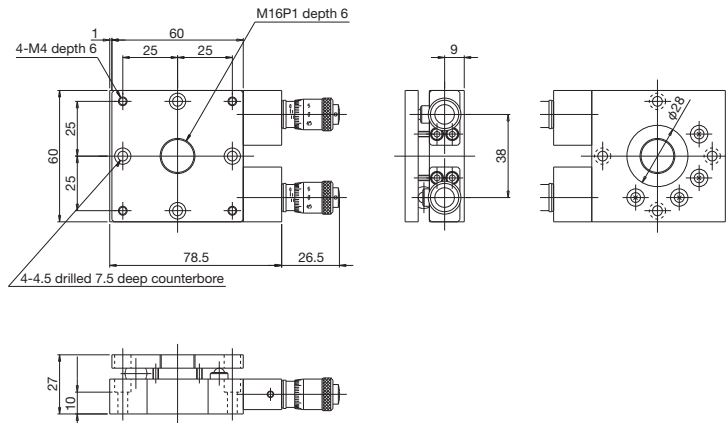
Product Appearance



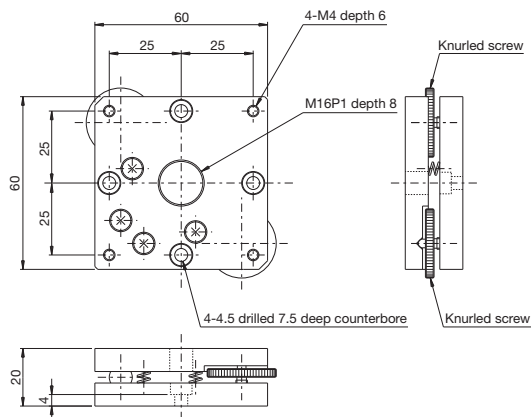
↑ TTD-302



↑ TTD-304



↑ TTD-602

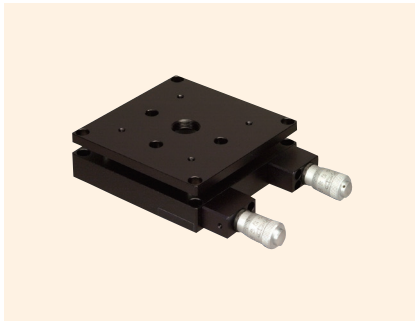


↑ TTD-604

Motorized Stages	Automated Products for Microscopes	Manual Stages
Fix Stages	Thin VB Stages	Rack & Pinion Stages
High-Grade Stages	Swirl Stages, Cross Roller Stages	Z-Like Stages, Z Stages
Rodless Stages	TTD Stages	TTD Rotary Stages
XZ, YZ Stages	XYZ Stages	



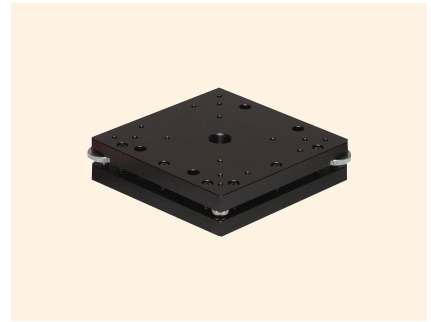
2-Axis Tilt Stage



↑ TTD-902



↑ TTD-904



↑ TTD-104

Features

- A 2-axis tilt stage with differing feed methods.
- The ball between the upper stage and the base forms the fulcrum for the tilting action.
- A low-cost manual screw type and a micrometer type that is capable of fine adjustments are available.
- Versatile use for positioning of cameras, sensors, etc.

Model number	TTD-902	TTD-904	TTD-104
Model name	Tilt Slim Stage 90 x 90	2-Axis Tilt Stage 90 x 90	2-Axis Tilt Stage 125 x 125
Travel direction	Tilt double direction		
Stage surface	90 mm x 90 mm		125 mm x 125 mm
Feed method	CMS-6.5F (standard micrometer)	Manual feed method	
Travel amount	±3°	±2°	
Travel amount/1 knob rotation	Approx. 0° 29'	Approx. 0° 24'	Approx. 0° 15'
Scale	Micrometer 0.01 mm (1 scale marking is approx. 35")		
Load capacity	39.2 N (4 kgf)	49 N (5 kgf)	
Mass	0.52 kg	0.4 kg	1 kg
Main materials/surface treatment	Aluminum alloy/black satin anodized finish		

Motorized Stages

Automated Products for Microscopes

Manual Stages

Fx Stages

Thin Yθ Stages

Rack & Pinion Stages

High-Carriage Stages

Slim Stages, Cross Roller Stages

Z Lin Stages, Z Stages

Rotary Stages

Tilt Stages

Thin/Rotary Stages

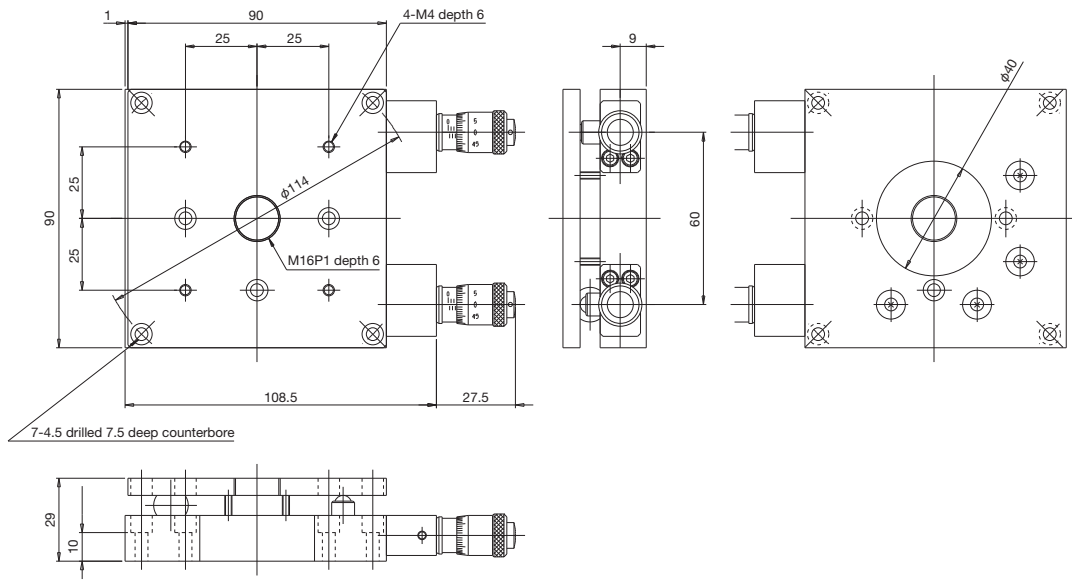
XZ, YZ Stages

XZ Stages

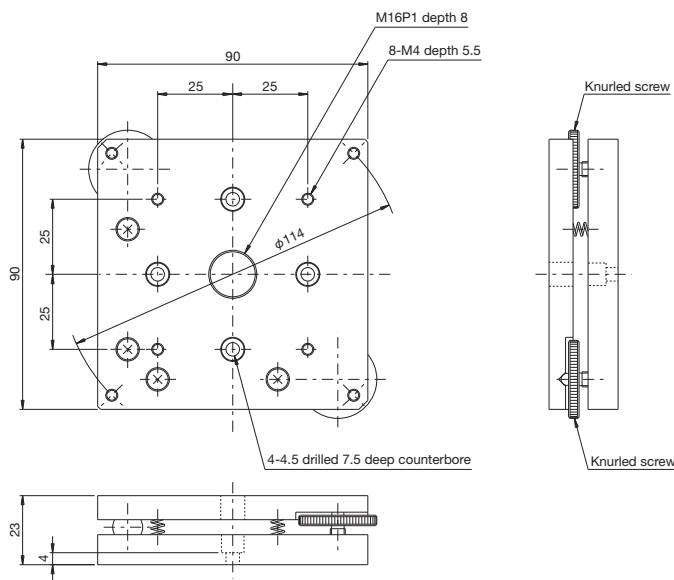


Tilt Stages ◀ Manual Stages ▶

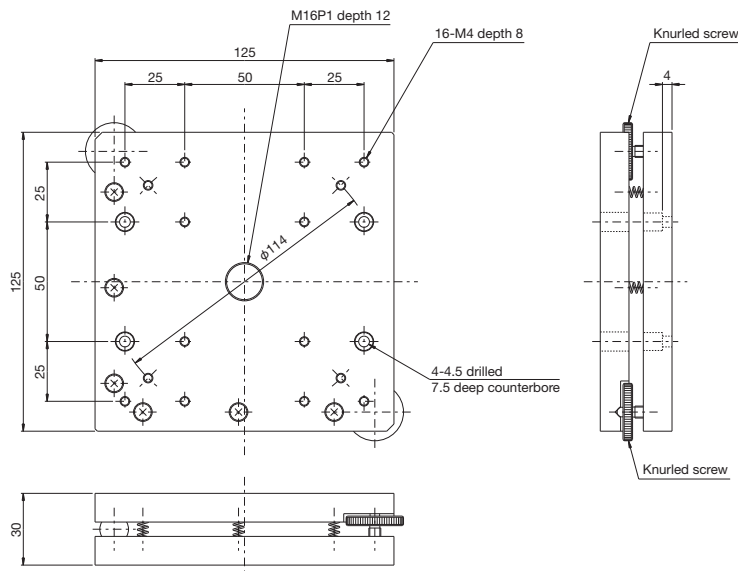
Product Appearance



↑ TTD-902



↑ TTD-904



↑ TTD-104

Motorized Stages	Automated Products for Microscopes	Manual Stages
Fix Stages	Thin VB Stages	Rack & Pinion Stages
High-Grade Stages	Stein Stages, Cross Roller Stages	Z-Like Stages, Z Stages
Rotary Stages	Tilt Stages	Tilt/Rotary Stages
XZ, YZ Stages	XZ Stages	