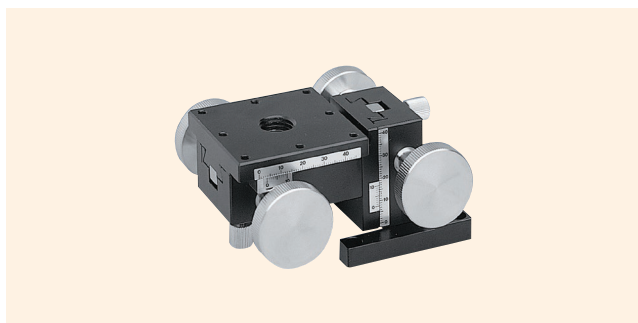


Compact YZ Mechanical Stands



↑ TLM-213-1



↑ TLM-213-2

Features

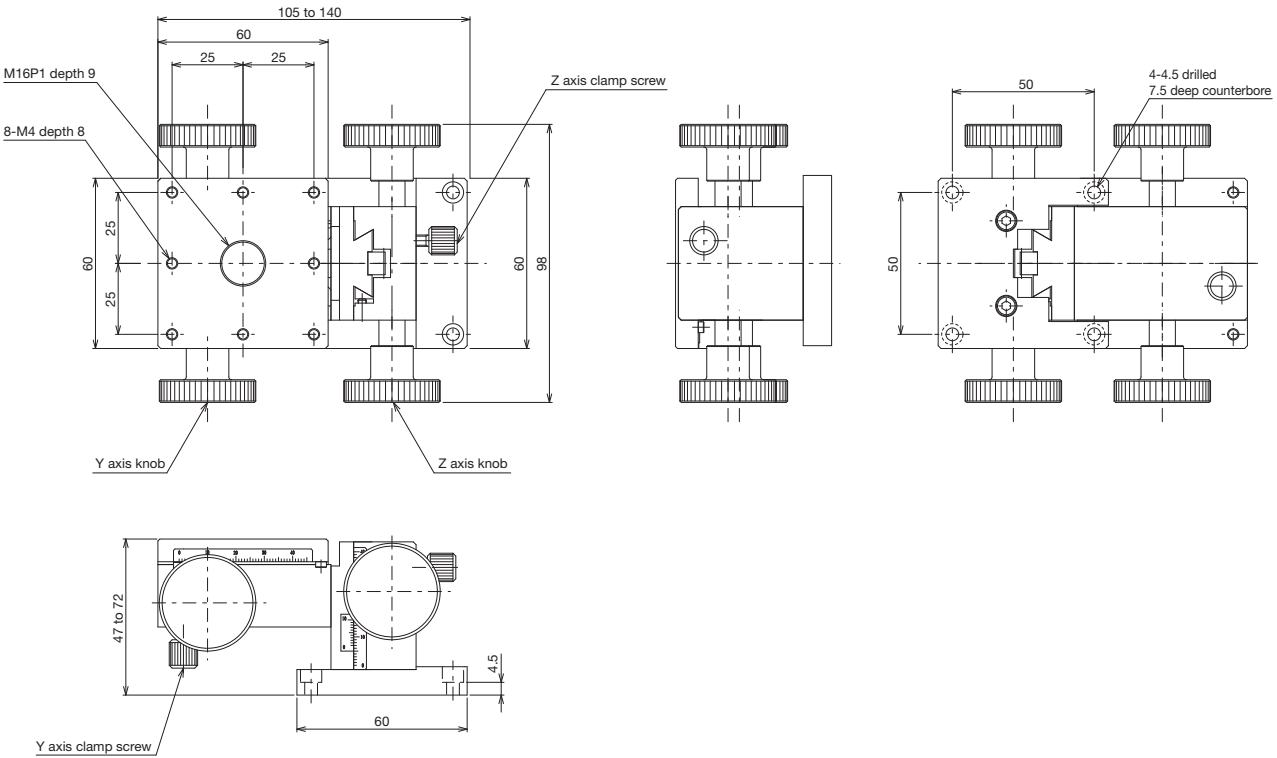
- The travel unit uses a dovetail (D-T Method) for the travel guide.
- Low-profile height manufactured for a low center of gravity.
- A rack & pinion is used for the feed method, achieving large travel amounts.
- Versatile use for positioning of cameras, sensors, etc.
- A clamp enables fixing in a desired position with strong retention force.

Model number	TLM-213-1	TLM-213-2
Model name	Compact YZ Mechanical Stand 60 x 60 (Coarse Movement Knob)	Compact YZ Mechanical Stand 60 x 60 (Coarse/Fine Movement Knob)
Travel direction	YZ-axis double direction	
Stage surface	60 mm x 60 mm	
Clamp method	Knob screw method	
Operating part mounting position	Double coarse movement knob	Double coarse/fine movement knob
Feed method	Rack & pinion method	
Travel amount	Y axis 0 to 35 mm, Z axis 0 to 25 mm	
Travel amount/1 knob rotation	Approx. 18 mm	Coarse movement: approx. 25.5 mm, Fine movement: approx. 3.3 mm
Scale	Vernier reading: 0.1 mm	
Sensitivity	0.1 mm	
Travel guide	Dovetail	
Travel accuracy	Straightness: 0.03 mm	
Load capacity	29.4 N (3 kgf)	
Mass	0.7 kg	0.8 kg
Main materials/surface treatment	Aluminum alloy/black satin anodized finish	

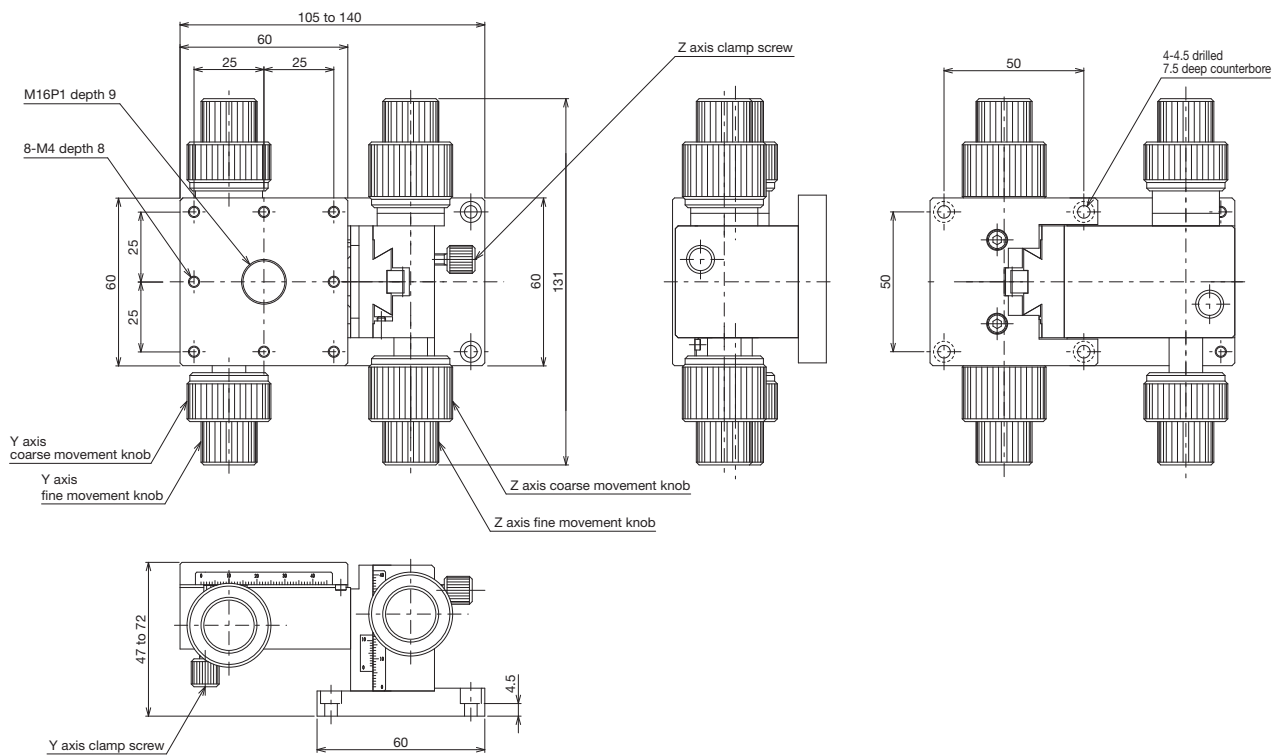


XZ, YZ Stages ◀ Manual Stages ▶

Product Appearance



↑ TLM-213-1



↑ TLM-213-2

Motorized Stages	Automated Products for Microscopes	Manual Stages
Fix Stages	Thin VB Stages	Rack & Pinion Stages
High-Grade Stages	Stein Stages, Cross Roller Stages	Z-Like Stages, Z Stages
Rodless Stages	Tilt Stages	Tilt/Rotary Stages
XZ, YZ Stages	XZ Stages	