

▶ Motorized Stages ▶ Cross Roller Stages

Z Stages 90 x 90, 125 x 125, 150 x 180, 200 x 250

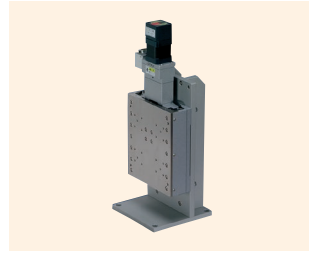
V-CR method 0.75 A/phase 0.75 A/phase motor



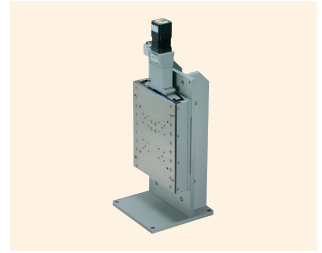
↑ TALZ-904-H1P



↑ TALZ-106-H1P



↑ TALZ-510-H1P



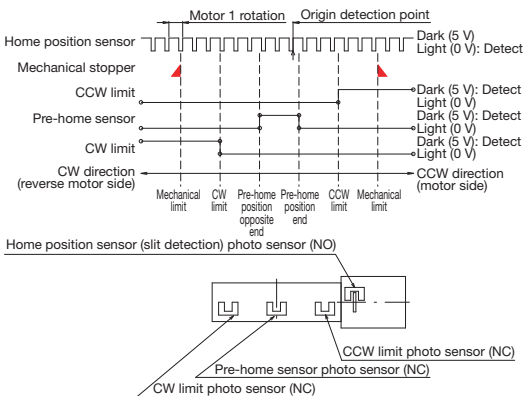
↑ TALZ-215-H1P

Features

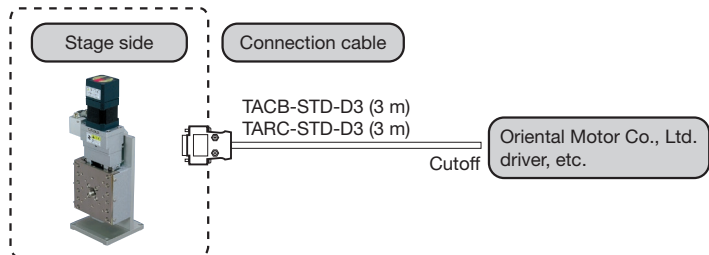
- A motorized stage that adopts a V-groove and cross roller guide for high precision.
- The travel guide is coated with clean room grease.
- Can be used for applications for automatic positioning of various sensors and workpieces.
- Pre-home sensor and limit sensor positions can be adjusted.

Model number	TALZ-904-H1P	TALZ-106-H1P	TALZ-510-H1P	TALZ-215-H1P
Model name	Z Stage			
Travel direction	Z-axis single direction			
Travel amount	±20 mm	±30 mm	±50 mm	±75 mm
Stage surface	90 mm x 90 mm	125 mm x 125 mm	150 mm x 180 mm	200 mm x 250 mm
Motor used	PK545NAW equivalent with electromagnetic brake (5-wire type pentagonal wiring, 0.75 A/phase)			
Resolution	0.002 mm			
Feed screw lead	1 mm			
Travel guide	V-groove and cross rollers			
Travel accuracy	Straightness (horizontal/vertical): 0.003 mm		Straightness (horizontal/vertical): 0.004 mm	
	Yawing 15 s, pitching 20 s		Yawing 20 s, pitching 30 s	
Positioning accuracy	0.005 mm	0.006 mm	0.010 mm	0.015 mm
Repeatability	±0.0006 mm	±0.0005 mm	±0.0007 mm	±0.0008 mm
Lost motion	0.001 mm			
Moment rigidity	Yaw rigidity 0.3sec/N-cm, pitch rigidity 0.4sec/N-cm, roll rigidity 0.15sec/N-cm	Yaw rigidity 0.1sec/N-cm, pitch rigidity 0.5sec/N-cm, roll rigidity 0.4sec/N-cm	Yaw rigidity 0.05sec/N-cm, pitch rigidity 0.6sec/N-cm, roll rigidity 0.6sec/N-cm	
	98 N (10 kgf)			
Load capacity	98 N (10 kgf)			
Mass	4.7 kg	8.9 kg	15.4 kg	26.7 kg
Maximum speed (at 5,000 pps)	10 mm/s			
Main materials/surface treatment	Steel, aluminum (brackets): Electroless nickel plating (table), coating (base), white anodized satin finish			
Home position sensor	Normally open contact (make contact, A contact) operation, photo sensor			
Pre-home sensor	Normally closed contact point (break contact, B contact) operation, photo sensor			
Limit sensor	Normally closed contact point (break contact, B contact) operation, photo sensor			
Applicable cables	TACB-STD-D3, TARC-STD-D3			

◆ Sensor operating logic and timing chart



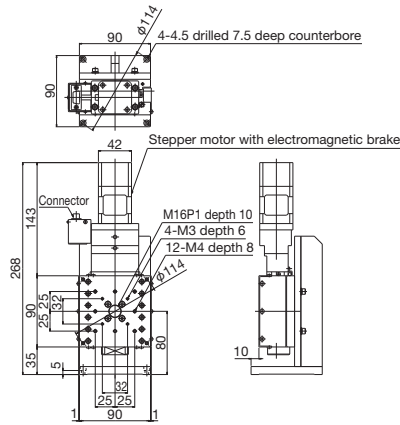
◆ Connection method - connection cable and driver



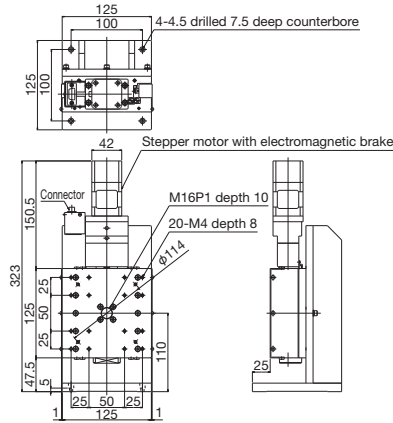


Cross Roller Stages ◀ Motorized Stages ◀

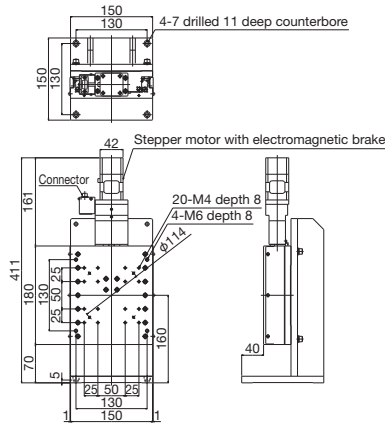
Product Appearance



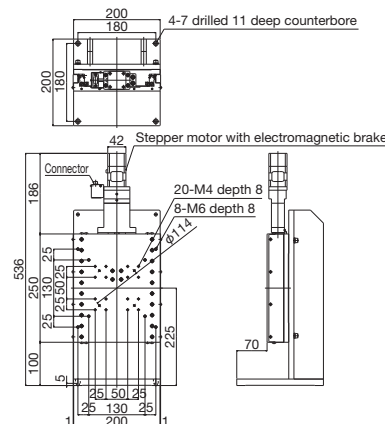
↑ TALZ-904-H1P



↑ TALZ-106-H1P



↑ TALZ-510-H1P



↑ TALZ-215-H1P

Motorized Stages	Automated Products for Microscopes
Manual Stages	High-Grade Stages (40 mm)
Class Roller Stages	30 mm x 30 mm Connector Stages
Ball Bushing Stages	High-Precision/High-Rigidity Stages
Z-Lift Stages	Tilt Stages
Connection Cases	Actuators